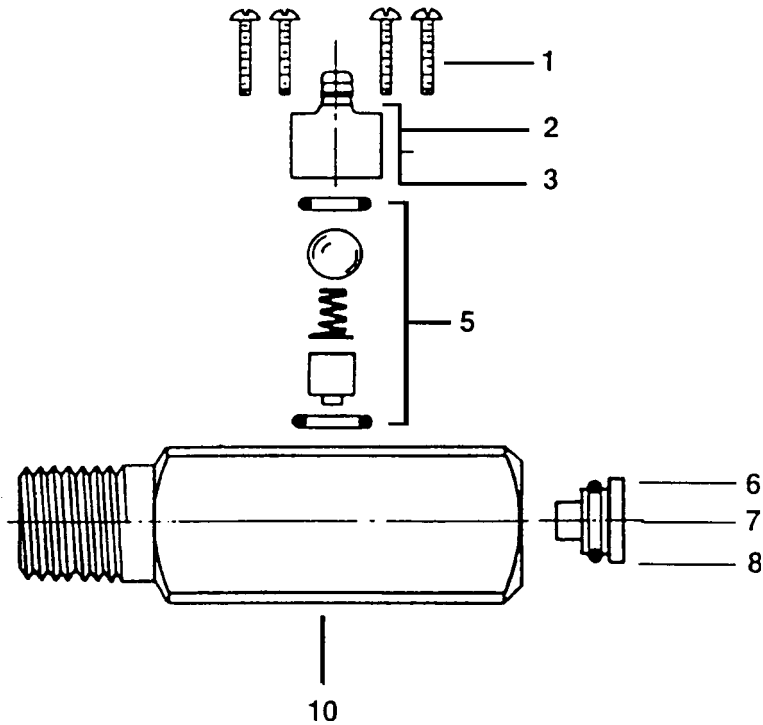
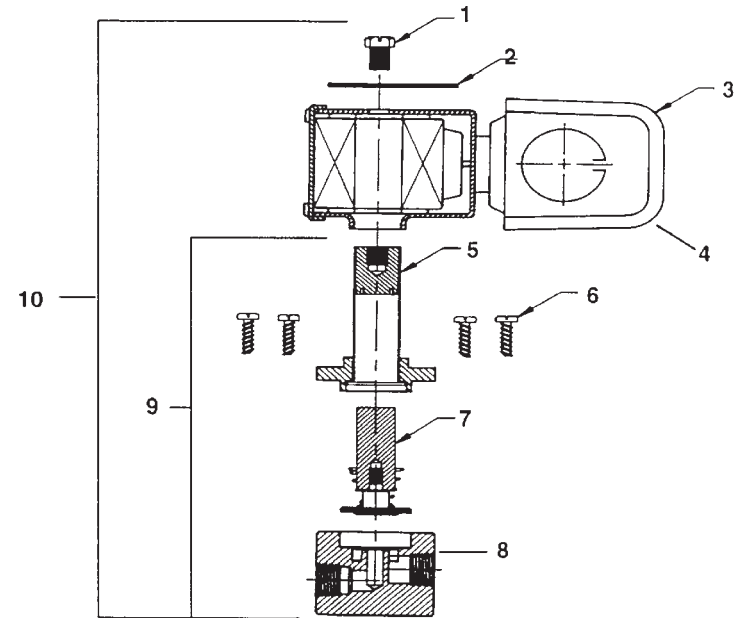


DEMA 204 & 206 Injector



| ITEM | Part Number | Description |
|------|-------------|-----------------------|
| 1A | 3652006 | Screw - 1/4" |
| 1B | 3652007 | Screw - 3/8" |
| 2 | 0521430 | Metering Block 1/4" |
| 3 | 0521432 | Metering Block 3/8" |
| 5 | 0521440 | Check Valve Kit 204C |
| | 0521444 | Check Valve Kit 206C |
| 6 | 0521465 | #15 Water Nozzle |
| 7 | 0521466 | #16 Water Nozzle |
| 8 | 0521468 | #18 Water Nozzle |
| 9 | 0520204 | 204 Injector Complete |
| 10 | 0520206 | 206 Injector Complete |

SOLENOID VALVE



| ITEM | Part Number | Description |
|------|-------------|--------------------------------|
| 1 | 3652004 | Screw |
| 2 | 0521426 | Plate |
| 3 | 0521424 | Coil 24 VAC |
| 4 | 0521425 | Coil 12 VAC |
| 5 | 0521434 | Enclosing Tube |
| 6 | 3652005 | Screw |
| 7 | 0521436 | Plunger & Diaphragm |
| 8 | 0521398 | Valve Body |
| | 0521300 | Dual Valve Body |
| 9 | 0521400 | Valve Body Complete w/o Coil |
| 10 | 0521124 | Solenoid Valve Complete 24 VAC |
| 11 | 0521112 | Solenoid Valve Complete 12 VAC |